

Attachments



HUAYA CARRY THE FUTURE
胜出，必有所长

Diesel /Gasoline/LPG Forklift 柴油/汽油/LPG叉车



Cab – the area that contains a seat for the operator along with the control pedals, steering wheel, levers, switches and a dashboard containing operator readouts. The cab area may be open-air or enclosed, but it is covered by the cage-like overhead guard assembly. When enclosed, the cab may also be equipped with a cab heater for cold weather countries along with a fan or air conditioner for hot weather.

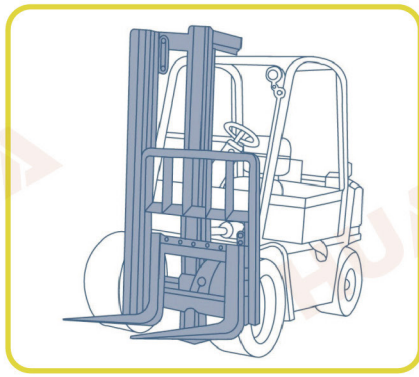
Tires – either solid for indoor use, or pneumatic for outdoor use.



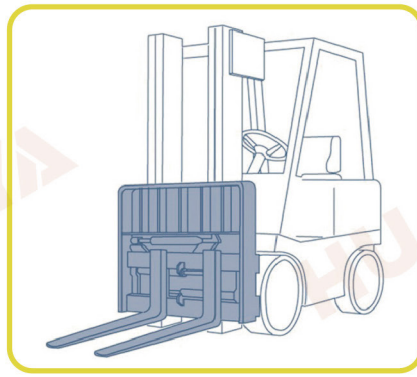
Manned platform – a lift platform that slides onto the tines (forks) and is meant for hoisting workers. The manned platform has railings to keep the person from falling and brackets for attaching a safety harness. Also, a strap or chain is used to attach the manned platform to the carriage of the forklift.

Use an internal combustion engine of LPG. The fuel is often stored in a gas cylinder mounted to the rear of the forklift. This allows for quick changing of the cylinder once the LPG runs out. LPG forklifts are quieter than diesel forklifts, while offering similar levels of performance.

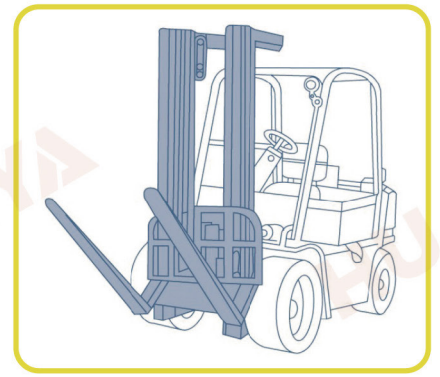




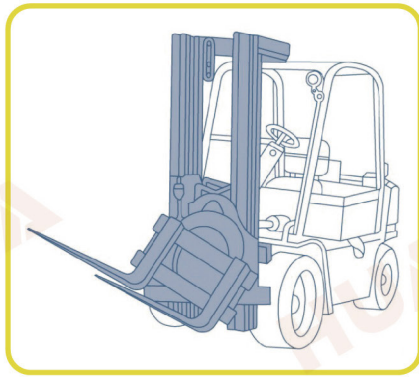
Sideshift



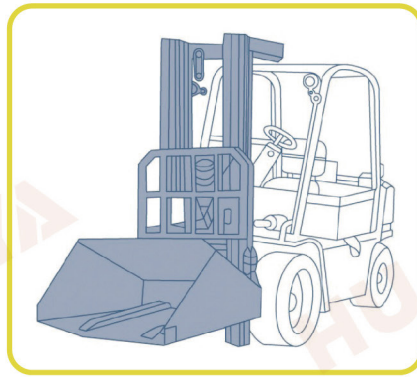
Fork positioner



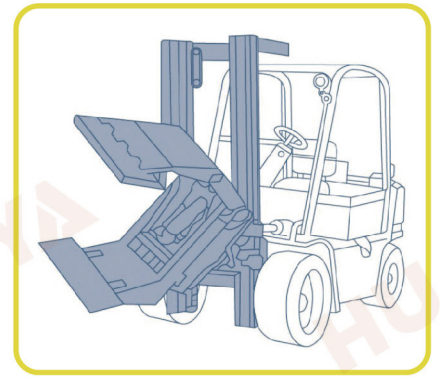
Hinged fork



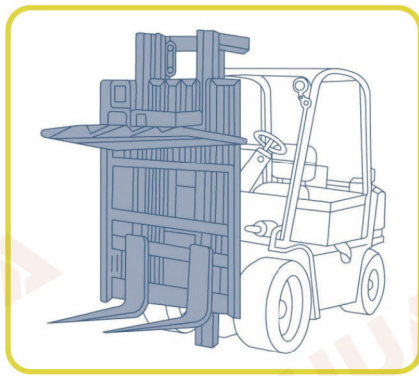
Rotator



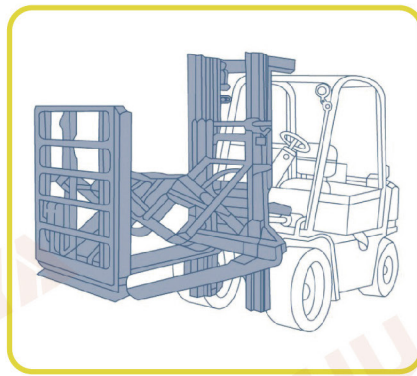
Hinged bucket



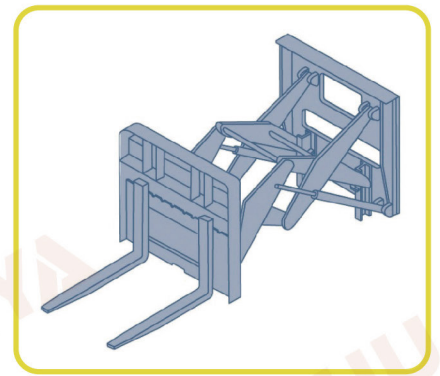
Rotating roll clamp



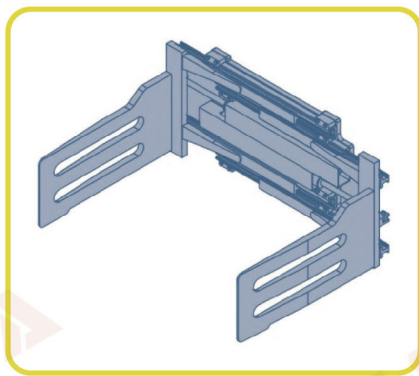
Load stabilizer



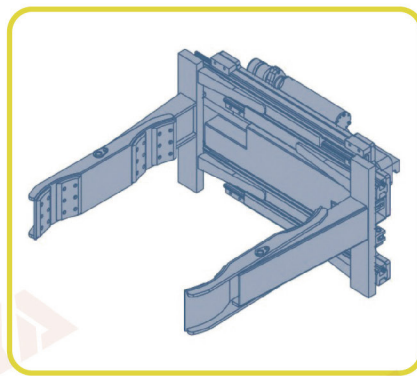
Push pull



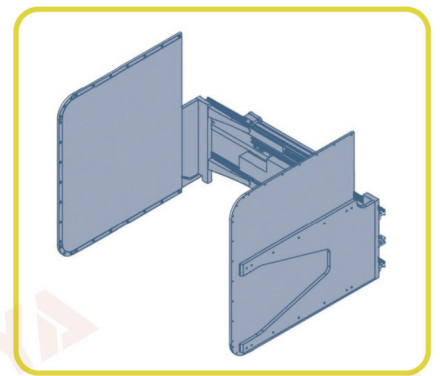
Load extender



Bale clamp



Drum clamp



Carton clamp

