

# Attachments



Heavy-duty forklifts designed for longevity

**HUAYA** CARRY THE FUTURE  
胜出，必有所长



**Cab** – The area that contains a seat for the operator along with the control pedals, steering wheel, levers, switches and a dashboard containing operator readouts. The cab area may be open-air or enclosed, but it is covered by the cage-like overhead guard assembly. When enclosed, the cab may also be equipped with a cab heater for cold weather countries along with a fan or air conditioner for hot weather.

**Tires** – Either solid for indoor use, or pneumatic for outdoor use.



**Manned platform** – A lift platform that slides onto the tines (forks) and is meant for hoisting workers. The manned platform has railings to keep the person from falling and brackets for attaching a safety harness. Also, a strap or chain is used to attach the manned platform to the carriage of the forklift.

**Customized Plugs** - Plugs and sockets can be matched to different types of plugs and sockets from different countries around the world.

We equip sockets and plugs with many different safety devices in order to minimize the risk of electric shock. Power plugs and sockets vary in appearance, rating, size and type depending on the country/region. Each country has standards set by the government.

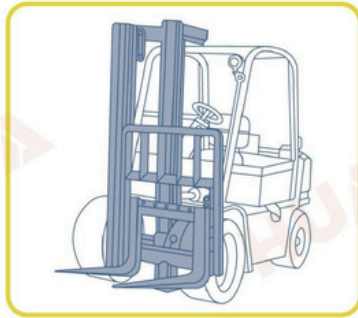


The publicized pictures,specification and parameter is offered to refer,please see according to the real goods



Heavy-duty  
forklifts designed  
for longevity

**HUAYA** CARRY THE FUTURE  
胜出 必有所长



**Sideshift**



**Fork positioner**



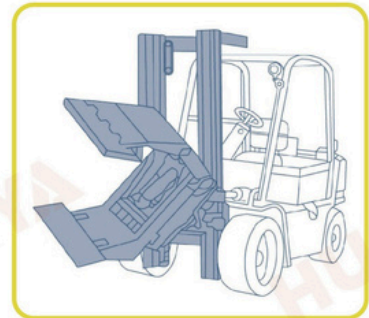
**Hinged fork**



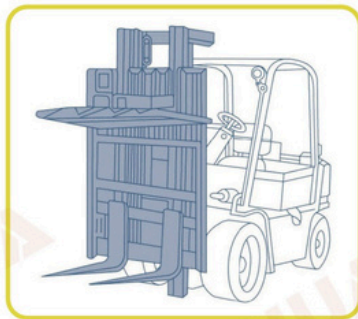
**Rotator**



**Hinged bucket**



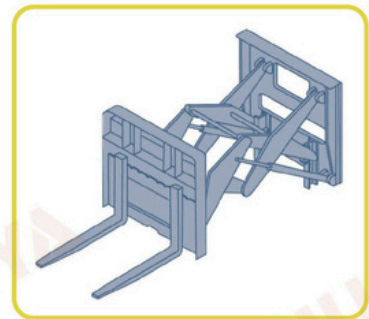
**Rotating roll clamp**



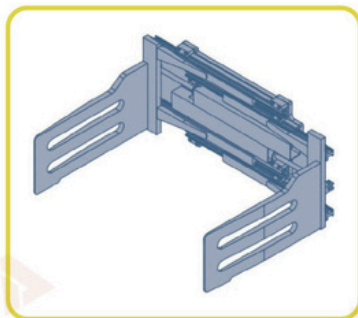
**Load stabilizer**



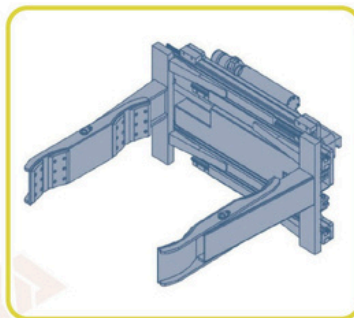
**Push pull**



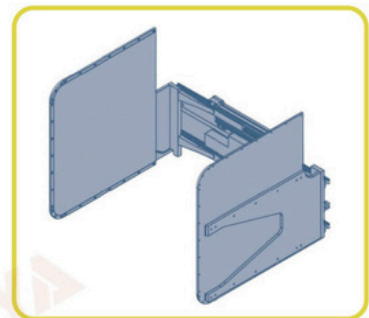
**Load extender**



**Bale clamp**



**Drum clamp**



**Carton clamp**



**Heavy-duty  
forklifts designed  
for longevity.**

**México Office**

Av. Jorge Jiménez Cantú S/N, Plaza Antigua 1, edif. 4-B, piso 2, oficina 201, Col. Hacienda de Valle Escondido, Zona Esmeralda, Atizapán de Zaragoza, Edo. de Méx., C.P. 52937  
Whatsapp 55 2094 9972

**China Office**

Room 423, Fuhua Plaza, 25 Fuhua East Road, Panyu District, Guangzhou City, Guangdong Province, China Zip Code 511403  
Phone +8618529273426  
info@cvg-forklifts.com